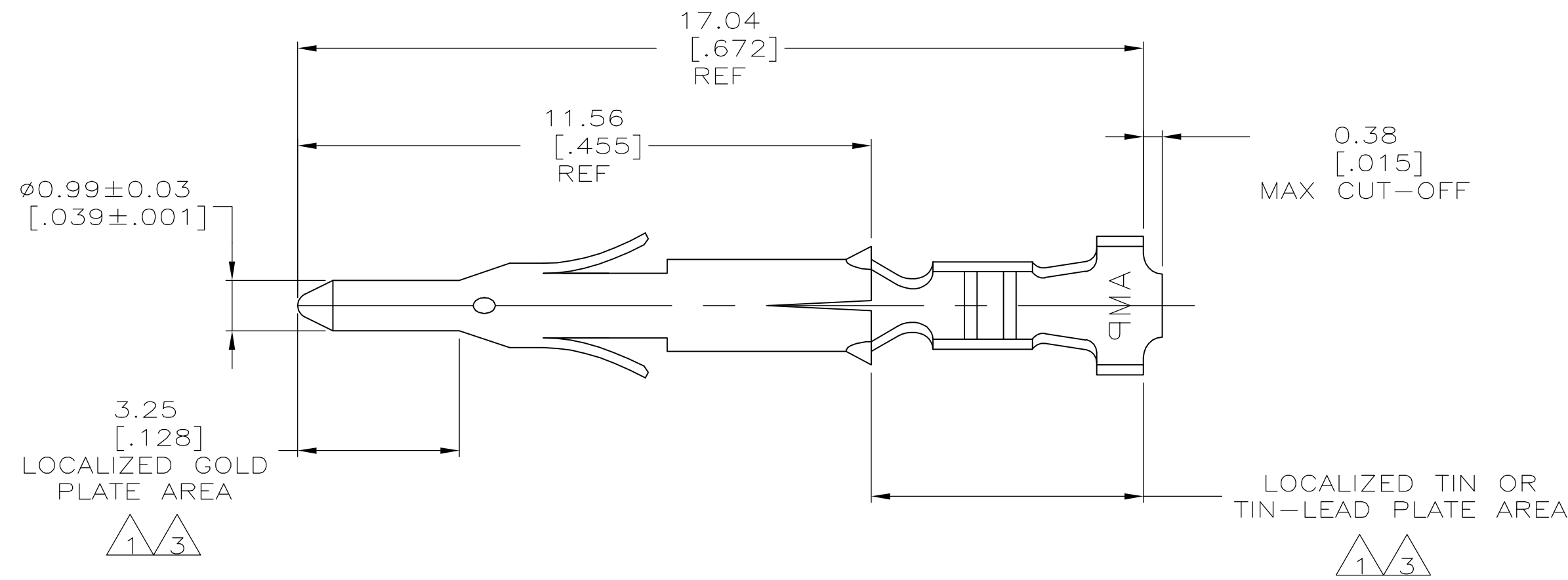
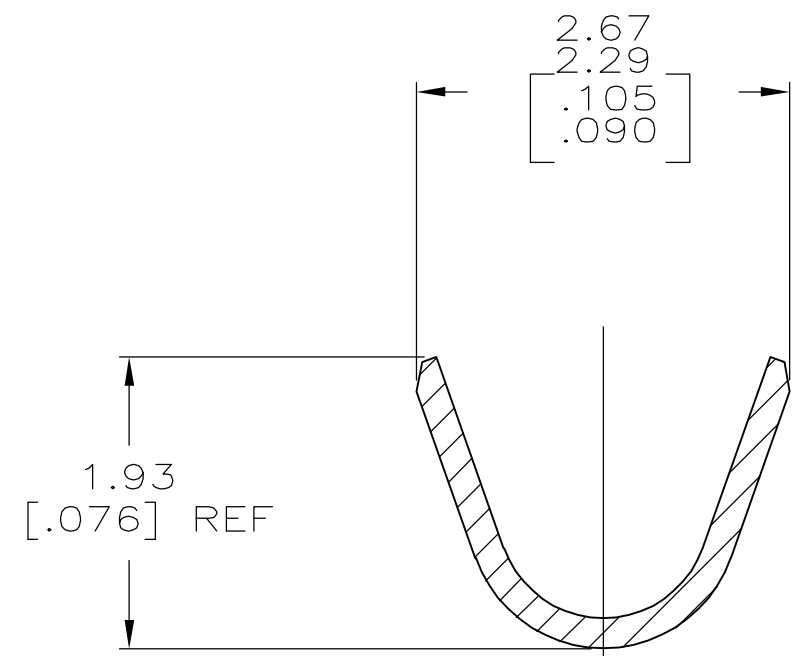
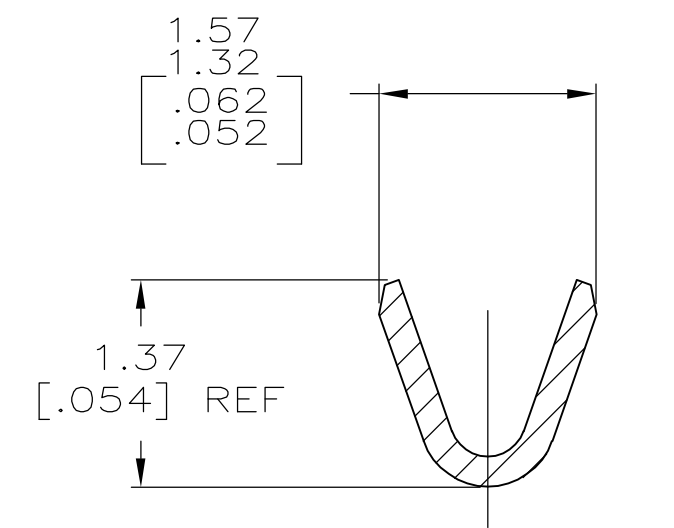
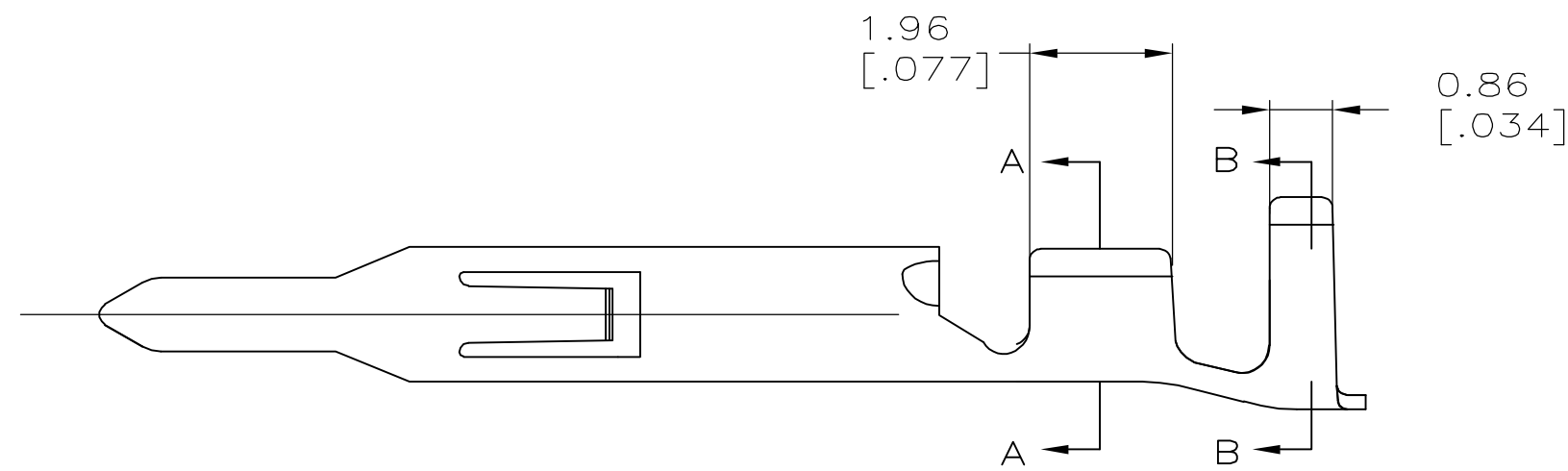


THIS DRAWING IS UNPUBLISHED. RELEASED FOR PUBLICATION
 © COPYRIGHT BY TYCO ELECTRONICS CORPORATION. ALL RIGHTS RESERVED.

LOC	DIST	REVISIONS					
CM	00	P	LTR	DESCRIPTION	DATE	DWN	APVD
		E1		EC 0G3B 0214 05	22AUG05	BSV	CJ



- 1. 0.00076 [.000030] MIN GOLD IN LOCALIZED GOLD PLATE AREA AND 0.00254 [.000100] MIN BRIGHT TIN-LEAD IN LOCALIZED TIN-LEAD PLATE AREA OVER 0.0013 [.000050] MIN NICKEL.
- 2. WIRE RANGE: 0.5 - 0.15mm² (30-26 AWG). mm
- 3. 0.00076 [.000030] MIN GOLD IN LOCALIZED GOLD PLATE AREA AND 0.00254 [.000100] MIN MATTE TIN IN LOCALIZED TIN PLATE AREA OVER 0.0013 [.000050] MIN NICKEL.



3	0.20 [.008] BRASS	1-794059-0
1	0.20 [.008] BRASS	794059-3
PRE-TIN	0.20 [.008] BRASS	794059-1
FINISH	MATERIAL	PART NUMBER

THIS DRAWING IS A CONTROLLED DOCUMENT.		DWN S. HOOVER 05MAR03	Tyco Electronics Corporation Harrisburg, PA 17105-3608	
DIMENSIONS: mm [INCHES]		CHK C. JONES 05MAR03		
TOLERANCES UNLESS OTHERWISE SPECIFIED:		APVD C. JONES 05MAR03	NAME	
0 PLC ± -		PRODUCT SPEC	PIN, LOOSE PIECE	
1 PLC ± -		APPLICATION SPEC	MINI UNIVERSAL MATE-N-LOK(TM)	
2 PLC ± 0.13[.005]			SIZE A2	CAGE CODE 00779
3 PLC ± -			DRAWING NO C=794059	RESTRICTED TO -
4 PLC ± -			SCALE 10:1	SHEET 1 of 1
ANGLES ± -		WEIGHT -	REV E1	
FINISH		CUSTOMER DRAWING		

METRIC